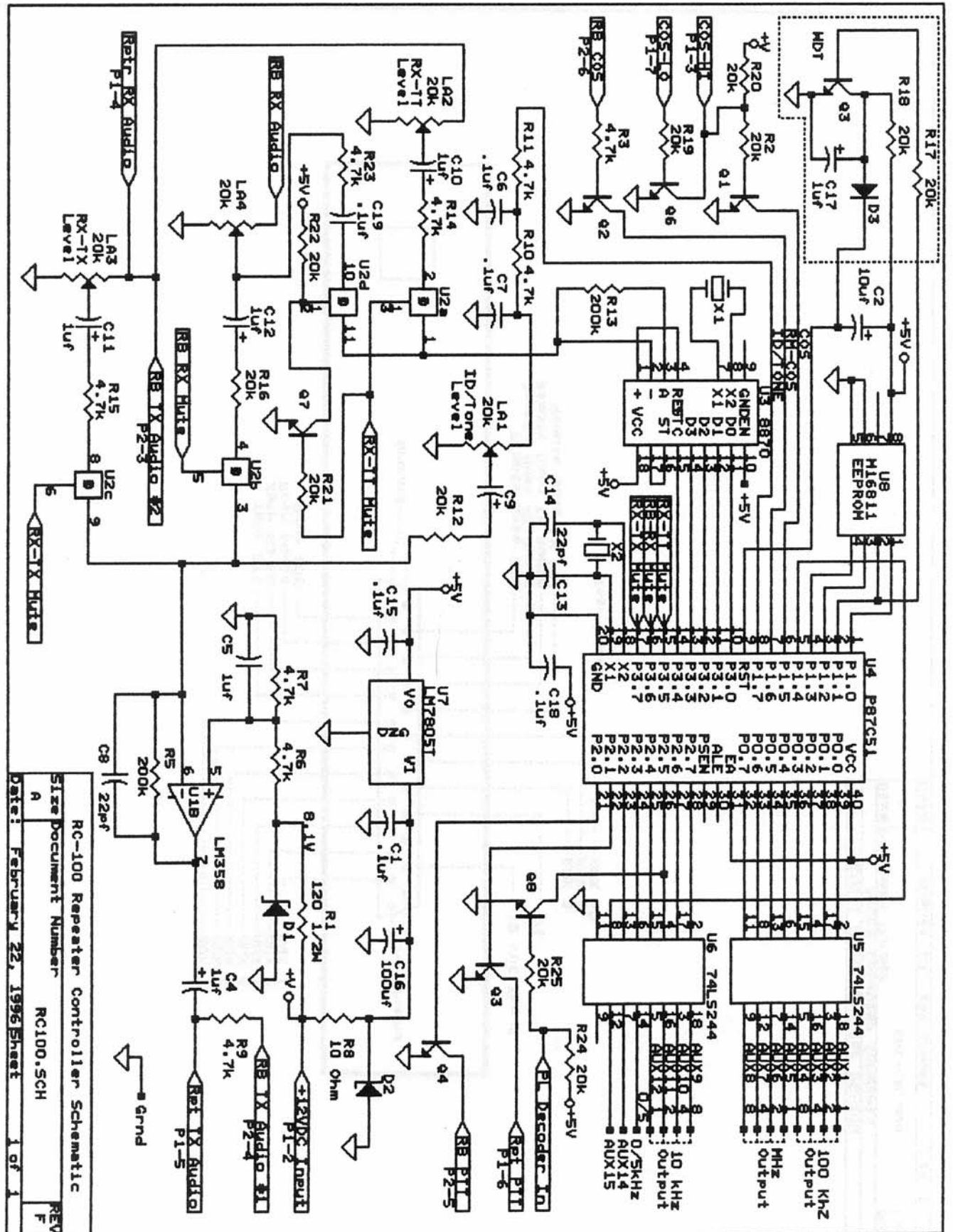


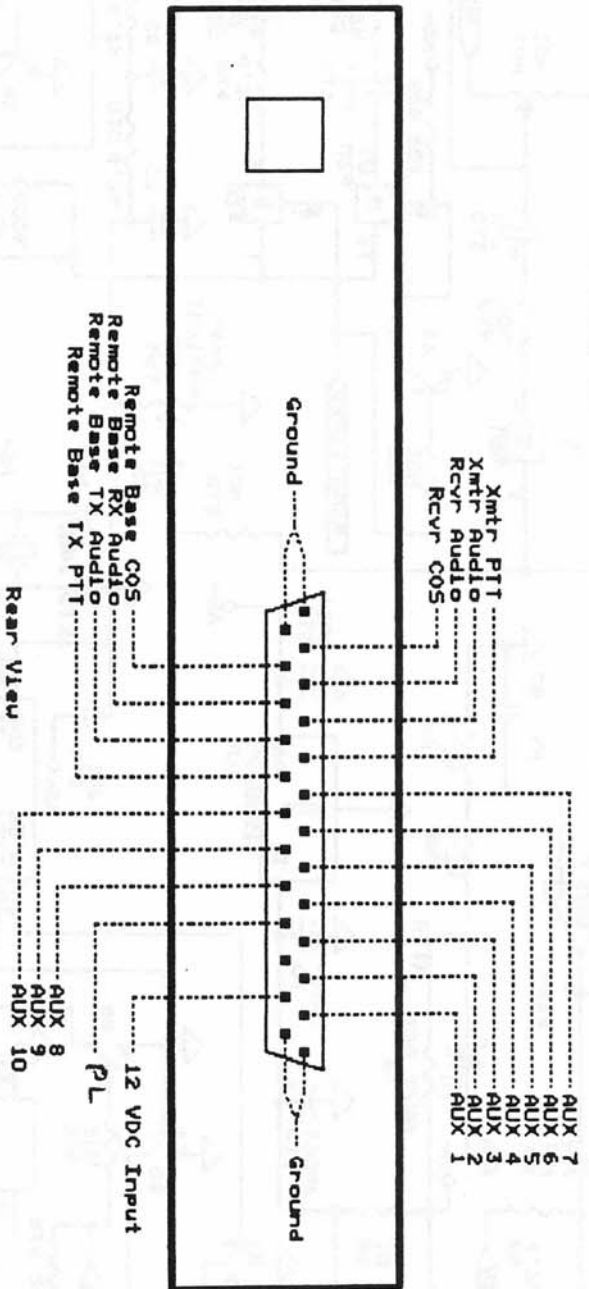
U8 is surface mounted IC on solder side of PCB.
 "u" means Jumper
 Last used: U8, LA4, X2, Q8, C18, R25.

RC-100 Repeater Controller Assembly Drawing	
Size Document Number	RC100.asy
REV	F
Date: February 22, 1996	Sheet 1 of 1



RC-100 Repeater Controller Schematic
 Size Document Number RC100.SCH
 Date: February 22, 1996 Sheet 1 of 1

REV
 F



Rear View

ENC-1 Enclosure for RC-100		REV
HISCP Computer Concepts		A
Size Document Number	ENC-1B.dwg	A
Date:	August 10, 1992	Sheet 1 of 1